

# Mactrac Pro Plus Bed Screen Track System

## Technical Data Sheet (TDS)

### Product Description

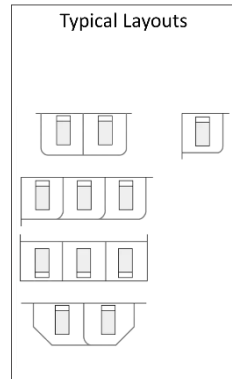
The Mactrac Pro Bed Screen Track System is a premium quality heavy duty curtain track system ideal for use in healthcare environments. The Mactrac Pro Plus uses heavy duty extruded aluminium SC3 track. All Tracks are available in powder coated Arctic White or Anodised Satin Silver with Electro Natural Silver powder coated brackets. Mactrac Pro Plus SC3 tracks are roughly twice as large as Mactrac Pro SC2 with a minimum thickness of 2.2mm on the sidewalls and 3mm on the head wall for increased strength and durability. The 38mm x 20mm SC3 track profile is compatible with the Mactrac Ezi-Slide, Mactrac IV, and Mactrac curtain changing cassettes to provide a system of fully integrated tracks. The track can be fixed direct to the ceiling or suspended by our hanger tube system. SC3 track can be supplied curved to a 400mm radius

### Track Profile

Bed screen track SC3



### Typical Layout

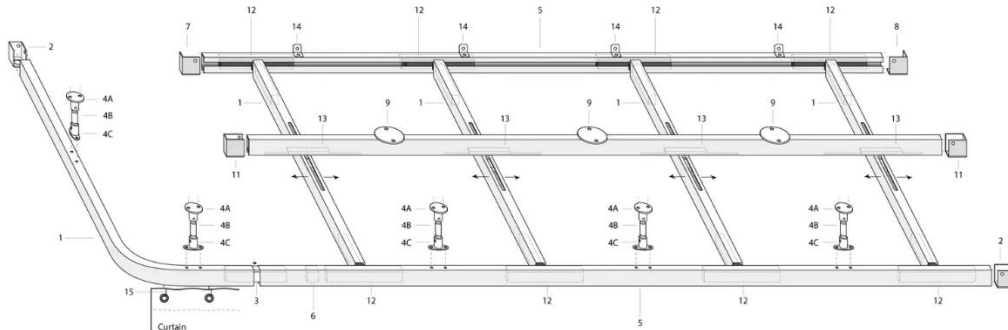


### Properties

- Track Profile:** 20.0mm x 38.0mm, available up to 6m lengths
- Track Thickness:** 2.2mm (sidewalls) 3mm (head wall)
- Standard Radius:** 400mm
- Glides:** NRS1 polyethylene glide with stainless steel hook, NRS9 polyethylene glide with Acetyl Hook
- Colour options:** Arctic White, Anodised Satin Silver with Electro Natural Silver powder coated brackets.
- Compatible with** All SC3 fittings, Easy-Clip, Mactrac Ezi-Slide, Curtain Changing Cassette, and Mactrac IV.

### Componentry

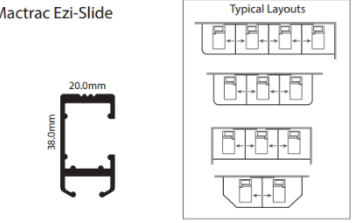
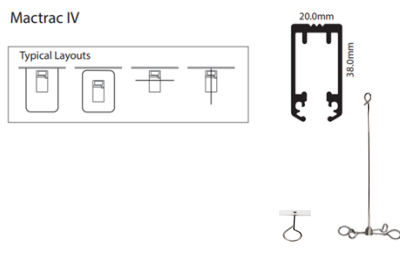
In addition to the brackets, bed bay systems and suspended track options deployable in the Mactrac Pro range, the Mactrac Pro Plus range includes an IV offering, a Mactrac Ezi-Slide moveable bay system and a curtain changing cassette option.



Key	
1. SC3 Cubicle Track Pro Plum	8. ECB/MR Cap for Moveable Track RH
2. AWB/3 Wall Bracket for SC3	9. CFP Ceiling Fixing Plate
3. MTJ/3 Moveable Track Joiner for SC3	10. SC3 IV Track
4a. THF Top Hanger Ferrule	11. ECB/3 End Cap Bracket for SC3
4b. Hanger Tube	12. MTS Sliding T-Bar for Moveable Track
4c. BH/3 Bottom Hanger Ferrule for SC3	13. CS Double Slider for Moveable Track
5. SC3 Moveable Track	14. WB Wall Bracket
6. NRS/3 Nylon Internal stop for Moveable Track	15. NRS1 Nylon Glide With Stainless Steel Hooks
7. ECB/ML Cap for Moveable Track LH	



## Hospital Privacy Curtain Tracks

<p><b>Mactrac Ezi-Slide</b></p> <p>The Mactrac Ezi-Slide moveable bed screen track system allows cubicle sizes to be changed by simply sliding the track to a different position. This is ideal in areas such as A&amp;E where additional monitoring equipment may be needed, or in any areas where working space is limited, and flexibility is required.</p>	<p>Mactrac Ezi-Slide</p> 
<p><b>Mactrac IV</b></p> <p>The Mactrac IV Track and IV Hanger system is used where an in-built moveable hook for hanging apparatus is required above a hospital bed or any other working area where high standards of hygiene are observed. The track system is neat and tidy in appearance and is capable of robust handling and can be used by people with little or no training.</p>	<p>Mactrac IV</p> 
<p><b>Mactrac Curtain changing cassette</b></p> <p>The curtain changing cassette is a section of track that can be removed with the curtain attached, allowing for the quick and easy changing of bed screen curtains. Using the Mactrac curtain changing cassette system, curtains at any height can be changed from the floor. Cassettes are available in 400mm and 600mm sizes which hold 2700mm and 5000mm of curtain material respectfully.</p>	